

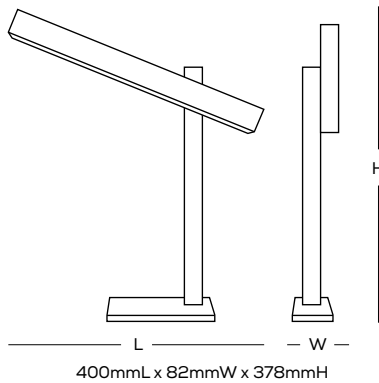
# MAGNET

LED Table Lamp



## Product Description

- 5W (325 Lumen) Integrated LED Strip
- 3000K Warm White
- Metal Frame
- SAA Approved Flex and plug with integrated driver
- 2 Year Warranty



## Specifications

| Product Code | Watts | Lumens | Colour Temp. | Colour | Height | Description           | Carton Qty |
|--------------|-------|--------|--------------|--------|--------|-----------------------|------------|
| MAGNETB      | 5W    | 325lm  | 3000K        | Black  | 378mm  | Magnet LED table lamp | 1          |
| MAGNETW      | 5W    | 325lm  | 3000K        | White  | 378mm  | Magnet LED table lamp | 1          |

